

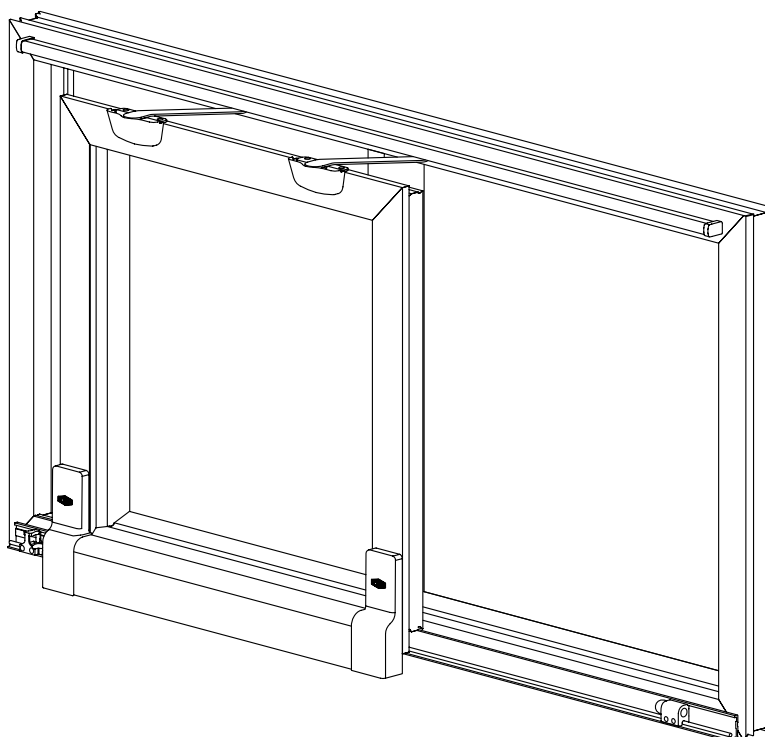


VARIANT

Comfort

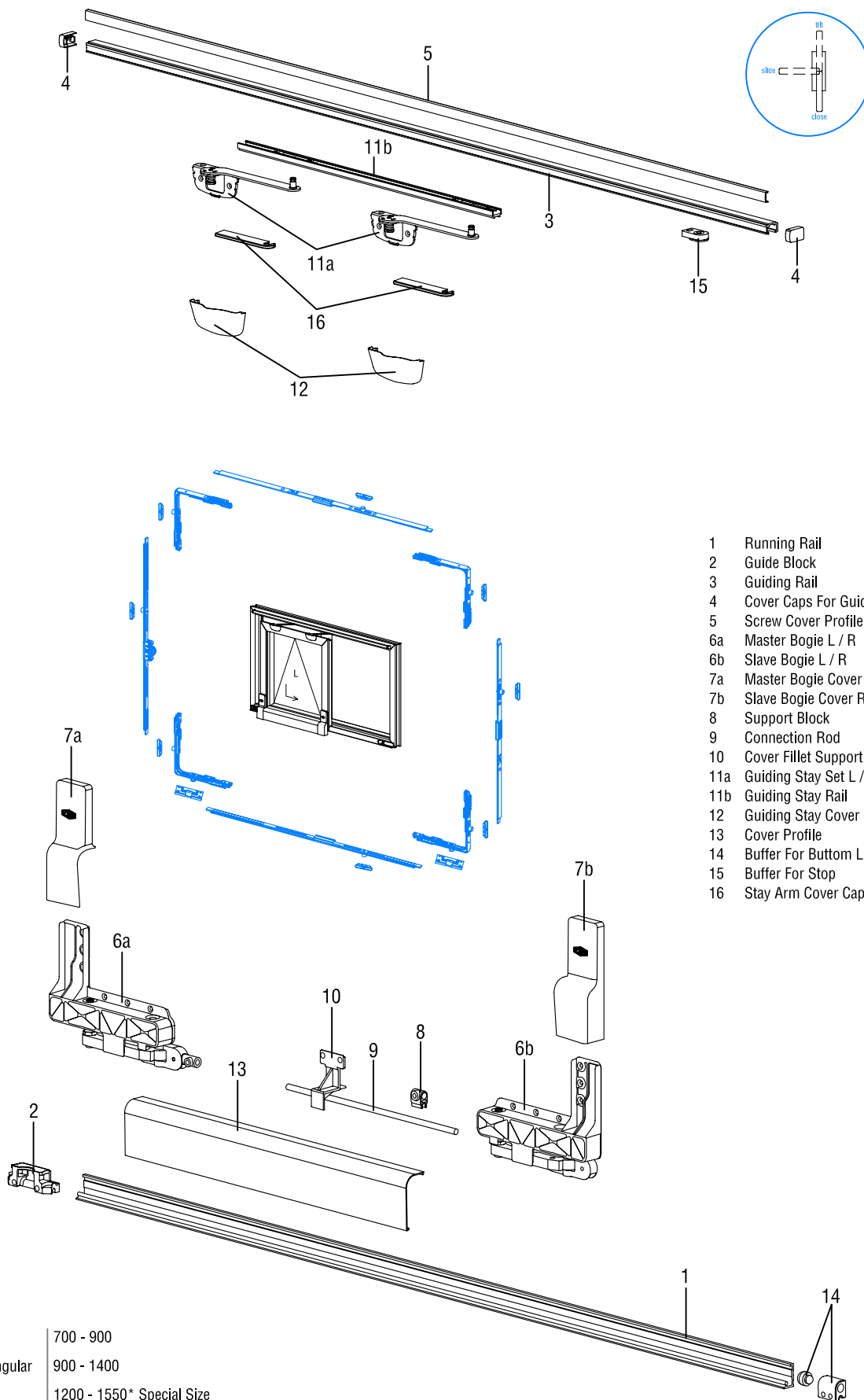
Parallel - Tilt - Sliding

Application & Maintenance



Parallel - Tilt - Sliding

130 kg oZ L / R

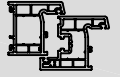


- 1 Running Rail
- 2 Guide Block
- 3 Guiding Rail
- 4 Cover Caps For Guiding Rail
- 5 Screw Cover Profile (PVC)
- 6a Master Bogie L / R
- 6b Slave Bogie L / R
- 7a Master Bogie Cover L
- 7b Slave Bogie Cover R
- 8 Support Block
- 9 Connection Rod
- 10 Cover Fillet Support
- 11a Guiding Stay Set L / R
- 11b Guiding Stay Rail
- 12 Guiding Stay Cover
- 13 Cover Profile
- 14 Buffer For Bottom L / R
- 15 Buffer For Stop
- 16 Stay Arm Cover Cap

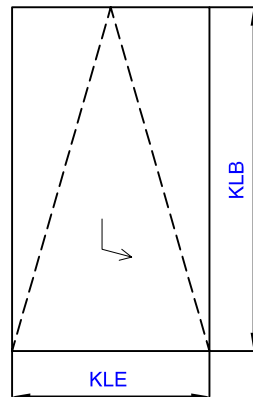
© Copyright by VORNE

SRW	700 - 900
Single - Rectangular	900 - 1400
Width	1200 - 1550* Special Size
Sash Weight	max. 130 kg
Opening Width	122 mm

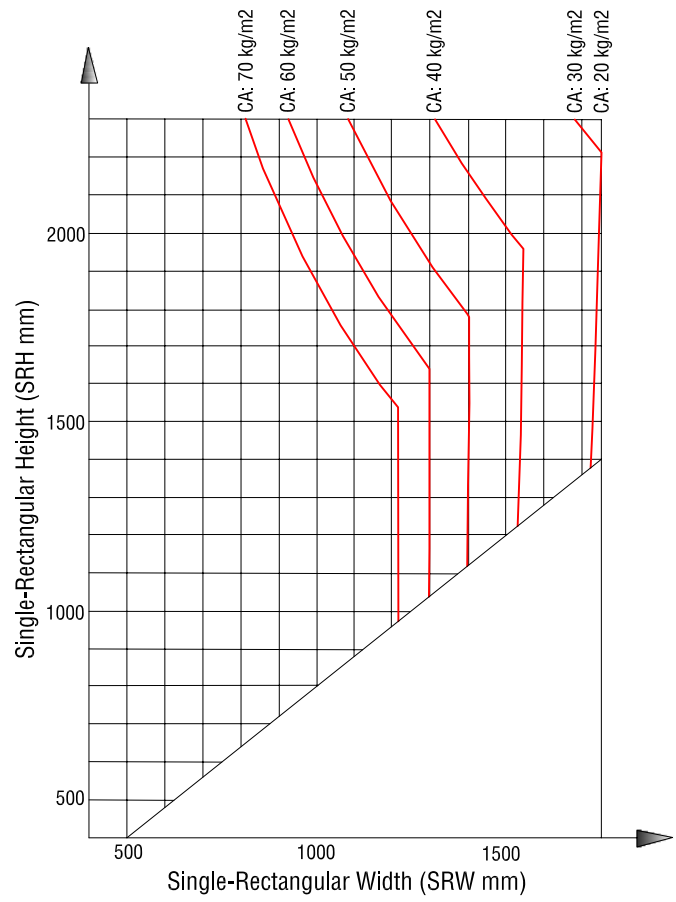
Boxed 1	6a / 6b / 11a / 2 / 4 / 7a / 7b / 8 / 10 / 15 / 12 / 14 / 16 / Application Jigs
Boxed 2	1 / 3 / 5 / 9 / 11b / 13



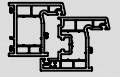
max. sash weight 130 kg



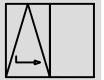
1mm/m² Glazing Thickness = 2,5 kg
CA = Glazing Weight



Parallel - Tilt - Sliding



Detailed Order & Packing Information

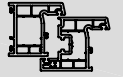


BOXED 1			left	right	
6a	Master Bogie	1 piece	V.4601.1L02	V.4601.1R02	
6b	Slave Bogie	1 piece	V.4601.2L02	V.4601.2R02	
11a	Guiding Stay Set	1 set	V.4601.4L02	V.4601.4R02	
2	Guide Block	1 piece	V.4601.0002 V.4601.0016	V.4601.0002 V.4601.0016	zinc black
4	Cover Caps For Guiding Rail	2 pieces	V.4601.2607 V.4601.2608 V.4601.2616	V.4601.2607 V.4601.2608 V.4601.2616	white brown black
12	Guiding Stay Cover	2 pieces	V.4601.1907 V.4601.1908 V.4601.1916	V.4601.1907 V.4601.1908 V.4601.1916	white brown black
16	Stay Arm Cover Cap	2 pieces	V.4601.2507 V.4601.2508 V.4601.2516	V.4601.2507 V.4601.2508 V.4601.2516	white brown black
14	Buffer For Bottom	1 piece	V.4601.2302 V.4601.2316	V.4601.2302 V.4601.2316	zinc black
7a / 7b	Master & Slave Bogie Cover	1 piece	V.4601.3L07 V.4601.3L08 V.4601.3L16	V.4601.3R07 V.4601.3R08 V.4601.3R16	white brown black
	Parallel-Tilt-Sliding Handle	1 piece	T.4601.0107 T.4601.0108 T.4601.0116	T.4601.0107 T.4601.0108 T.4601.0116	RAL 9016 white RAL 8077 brown RAL 9005 black
8	Support Block	1 piece	V.4601.1015	V.4601.1015	All colours can be applied.
10	Cover Fillet Support	1 piece	V.4601.1415	V.4601.1415	
15	Buffer For Stop	1 piece	V.4601.2402	V.4601.2402	
	Top Rail Application Jigs	1 set	V.5008.0100		
	Bottom Rail Application Jigs	1 set	V.5008.0200		

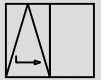
BOXED 2		2000 mm	3000 mm	3500 mm*	Rail Length
		500 - 700 700 - 900	900 - 1400	1200 - 1550	SRW
1	Running Rail	V.4601.0103 V.4601.0108 V.4601.0116	V.4601.0203 V.4601.0208 V.4601.0216	V.4601.0303 V.4601.0308 V.4601.0316	anodized brown black
3	Guiding Rail	V.4601.0403	V.4601.0503	V.4601.0603	anodized
5	Screw Cover Profile (PVC)	V.4601.0707 V.4601.0708 V.4601.0716	V.4601.0807 V.4601.0808 V.4601.0816	V.4601.0907 V.4601.0908 V.4601.0916	white brown black
13	Cover Profile	V.4601.2007 V.4601.2008 V.4601.2016	V.4601.2107 V.4601.2108 V.4601.2116	V.4601.2207 V.4601.2208 V.4601.2216	white brown black
9	Connection Rod	V.4601.1102	V.4601.1202	V.4601.1302	
11b	Guiding Stay Rail	V.4601.1616	V.4601.1716	V.4601.1816	

*On request production with different dimensions can be made regarding the technical specifications.

Parallel - Tilt - Sliding



Order & Packing Information

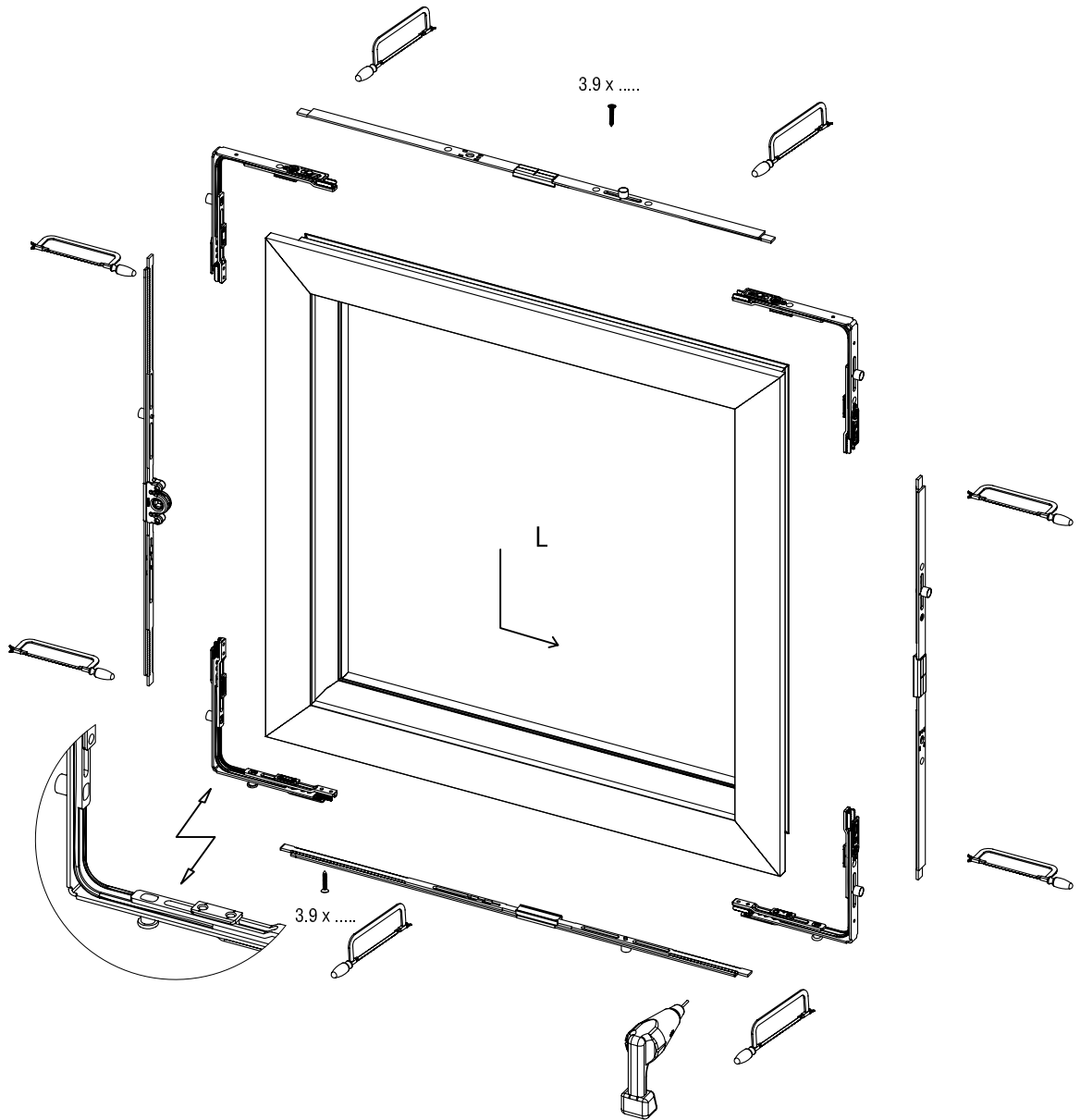
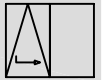
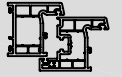


BOXED 1		left (L)	right (R)		
Set Code		V.4602.0L07	V.4602.0R07	white	
		V.4602.0L08	V.4602.0R08	brown	
		V.4602.0L16	V.4602.0R16	black	
BOXED 2		2000 mm	3000 mm	3500 mm*	Rail Length
	500 - 700	900 - 1400	1200 - 1550		SRW
	700 - 900				
Set Code	V.4603.0107	V.4603.0207	V.4603.0307	white	
	V.4603.0108	V.4603.0208	V.4603.0308	brown	
	V.4603.0116	V.4603.0216	V.4603.0316	black	

**On request production with different dimensions can be made regarding the technical specifications.*

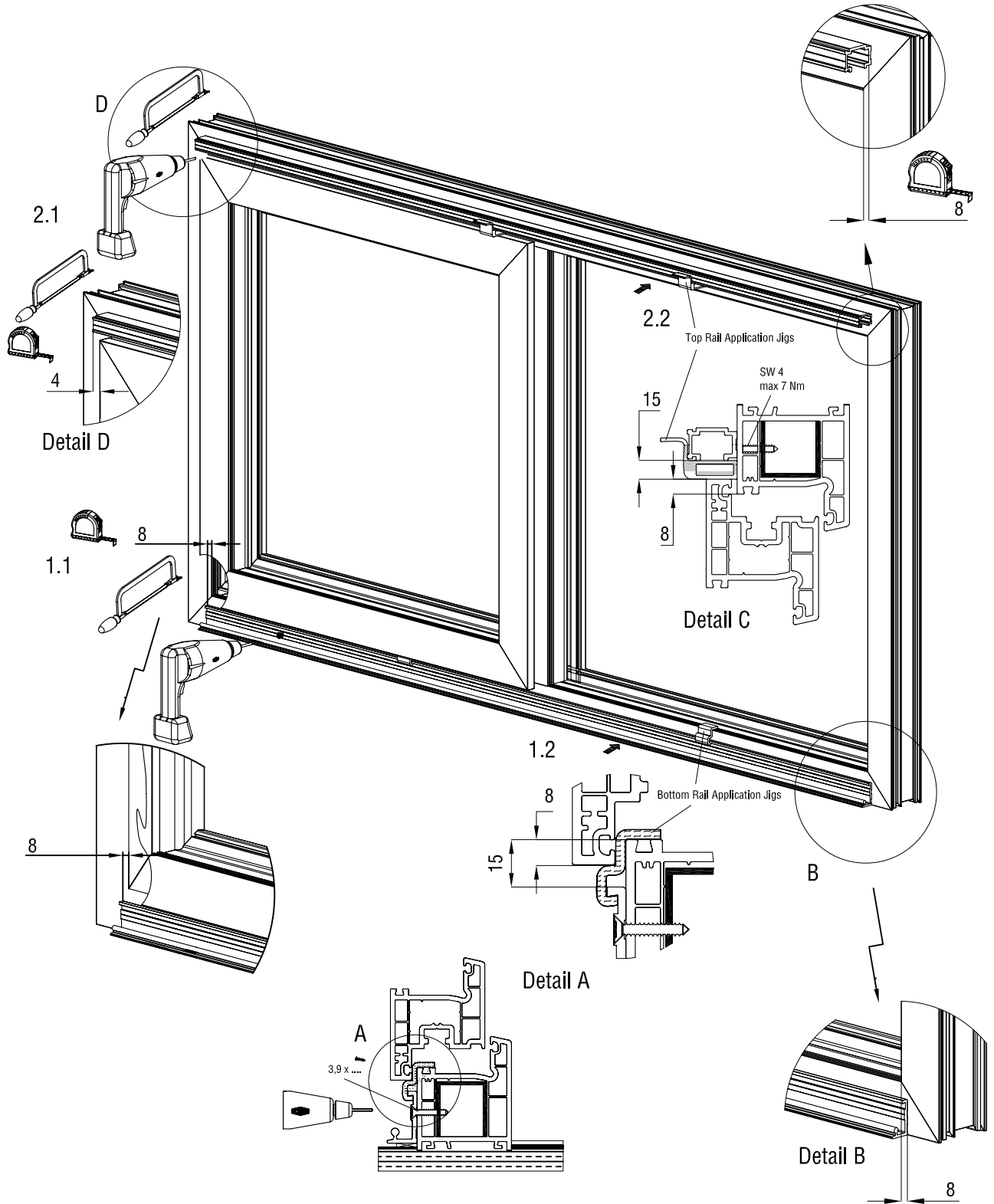
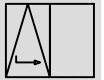
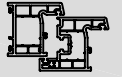
Parallel - Tilt - Sliding

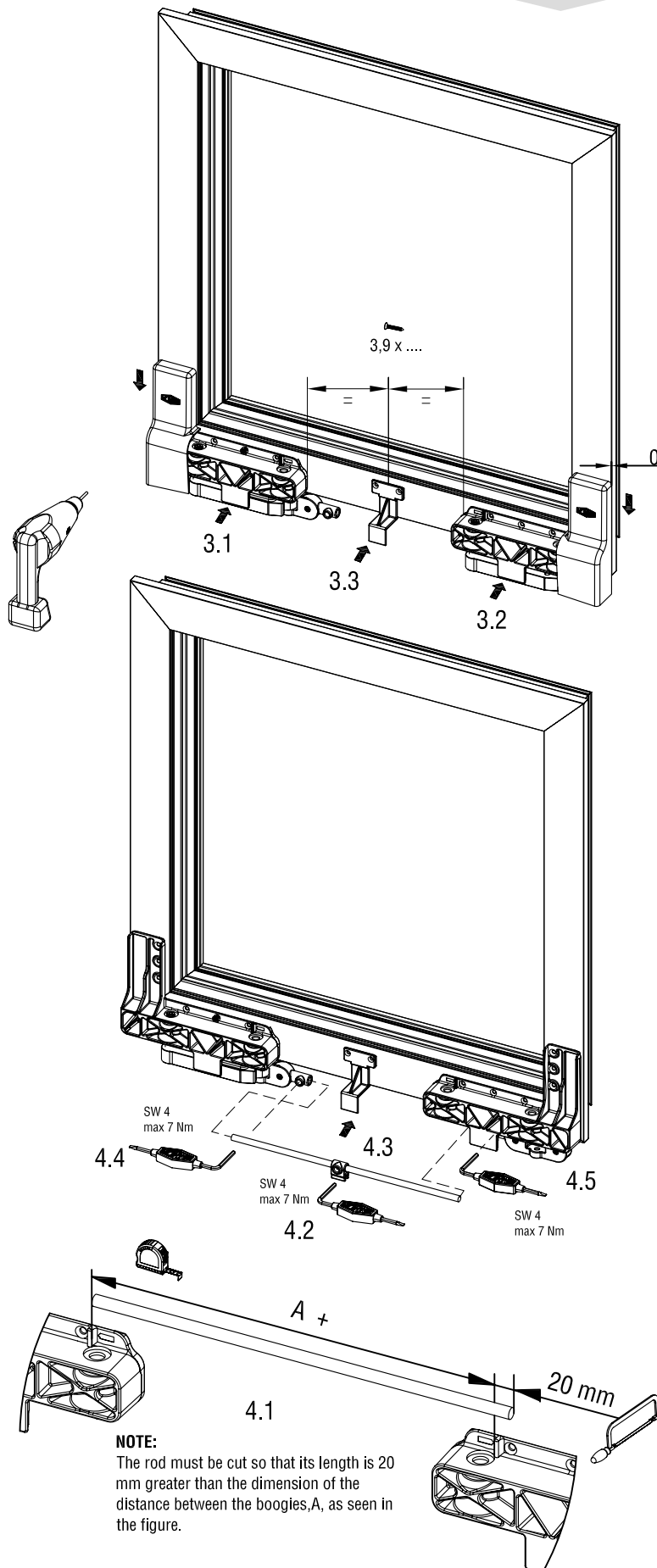
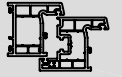
Espagnolettes & Corner Sliders Application



Parallel - Tilt - Sliding

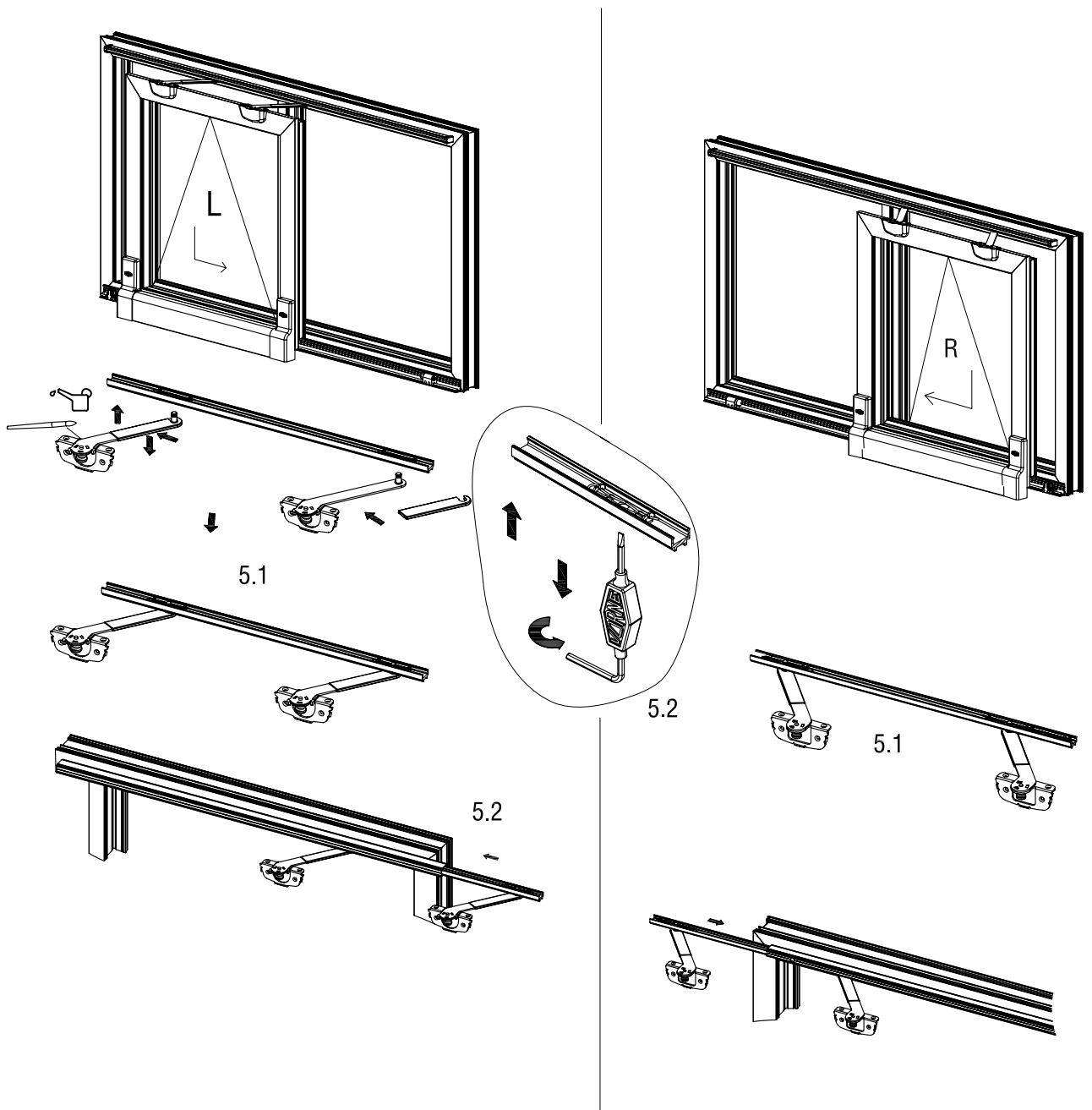
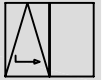
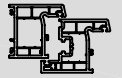
Top & Bottom Rail Application





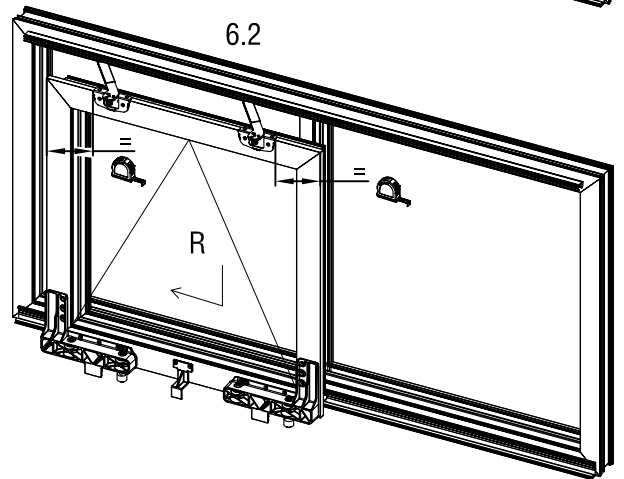
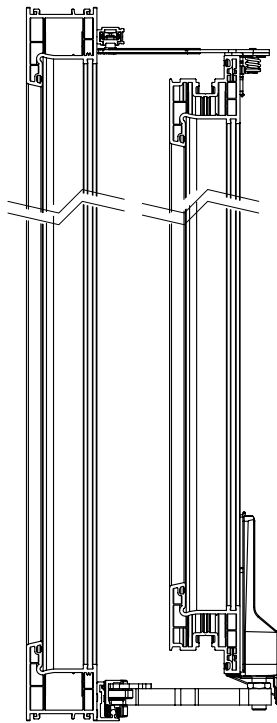
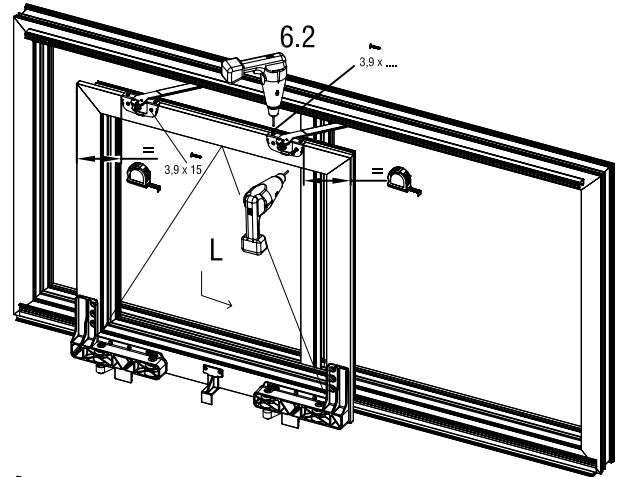
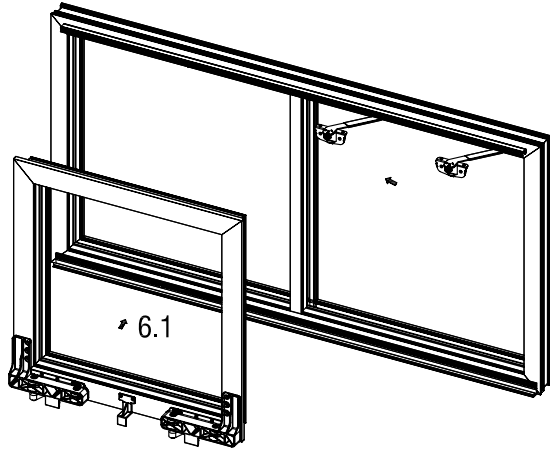
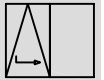
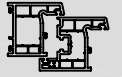
Parallel - Tilt - Sliding

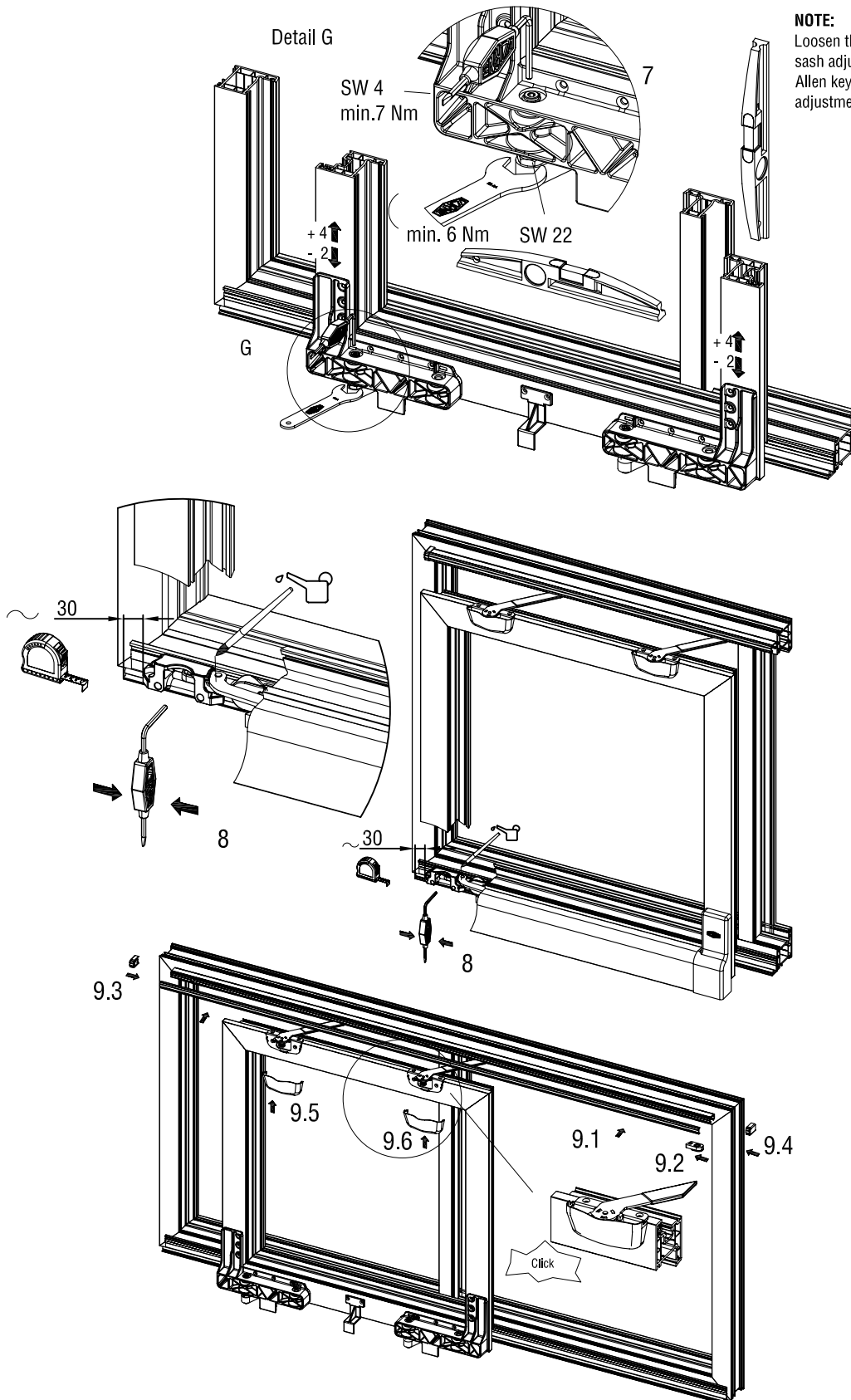
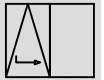
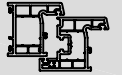
Guiding Stay Set Frame Application



Parallel - Tilt - Sliding

Sash & Frame Mounting Application





NOTE:
Loosen the nut with Vorne SW 22 for the sash adjustment, then use the Vorne Allen key for the last adjustment. After all adjustments tighten the nut.

Parallel - Tilt - Sliding

Adjusting & Maintenance

